

The Dynaco S-5 Atex for explosion proof applications

The new generation high speed doors



Your best asset
to reduce
the risk
of explosion

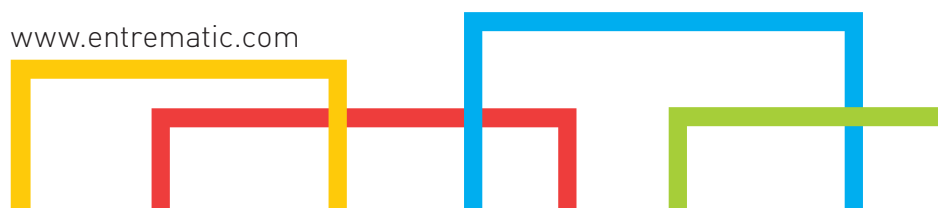


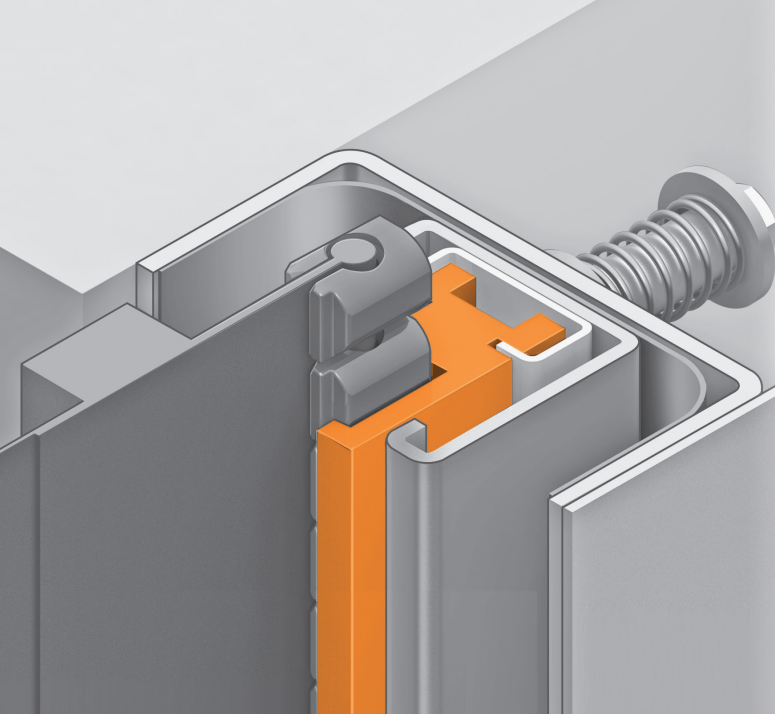
- █ Officially certified according to the European 2014/34/EU directive.
- █ Available in 3 versions for inside (S-535 Atex Compact) and outside (S-545 Atex Power and S-555 Atex All Weather) applications.
- █ Flexible curtain in antistatic material for maximum safety.



Scan this QR-code to:
 - See the door in action
 - Discover its advantages
 - Request more information

www.entrematic.com





SMOOTH OPERATION

The Dynaco S-5 Atex door is provided with an Atex Encoder, making opening and closing of the door curtain more smooth and reliable. The door stops exactly at the indicated positions, without the need of changing settings. There's no risk of the door curtain running beyond its limits. Thus, damage to the door and time-consuming interventions are avoided.



ENERGY SAVING

One of the main reasons for installing a Dynaco door, is saving energy. The fast operation of the doors and the tightness of the seal help preserve the conditioned area. This results in significant savings on your energy costs.



SAFETY

All Dynaco doors are intrinsically safe for the users, thanks to the flexible door curtain. In explosive environments however, safety requirements are far more complex. With a Dynaco S-5 Atex door, nothing is left to chance. All metal parts are made of stainless steel, while all non-metallic parts with a surface larger than 20cm² are replaced by antistatic materials. Also, bottom edge detector and photocells are protected via an intrinsically safe barrier (EEx i). Thus, we can guarantee a Dynaco S-5 Atex door generates no sparks that could lead to explosions.



PEACE OF MIND

Stating that a door is explosion proof is one thing. A Dynaco S-5 Atex door however has officially been certified by Apragaz, a Belgian notified body for Atex regulations. Both the non-electrical equipment and the driving parts have been thoroughly reviewed and validated. Each door will be carefully inspected by Entrematic quality organization and the independent notified body, conformity to Atex regulations will be detailed in a Declaration of Conformity by the independent party. That way you can rest assured that the door is suitable for the indicated class.



UNINTERRUPTED WORKFLOW

When a Dynaco door is accidentally hit and dislodged from its side guides, it automatically reinserts itself after an opening cycle. No need for technical intervention. No down-time for your installations. A solution that is saving both time and energy!



BETTER WORKING ENVIRONMENT

The Dynaco S-545 Atex Power version is suitable for outside applications. The specially designed side guides and the reinforcement at the bottom allow the door to operate under regular wind load. That way it protects your premises against bad weather and increases the comfort of your employees.



OPERATIVE UNDER HARSH CONDITIONS

The Dynaco S-555 Atex All Weather version is ready to operate under heavy weather conditions. The flexible curtain bends under wind pressure, while a special reinforcement avoids the curtain being torn away from the side guides. That makes the Dynaco S-555 Atex All Weather door suitable for all kinds of heavy duty applications.

ENTRE//MATIC

Entrematic Belgium NV
Waverstraat 21 B 9310 Moorsel Belgium
Tel. +32 53 72 98 98 Fax +32 53 72 98 50
info.dynaco.eu@entrematic.com
www.dynacodoor.com

Entrematic offers a comprehensive range of products for industrial, commercial, institutional and residential applications, including sectional doors, loading bay equipment, high-performance doors, residential garage doors, pedestrian doors, gates and barriers, and automation and operators. Built on nearly 200 years of accumulated expertise, Entrematic aims to be the most dynamic, innovative company in the entrance automation industry, and the best partner for dealers and installers.

Our well-known brands include Normstahl, Dynaco, Ditec and EM. Entrematic, Normstahl, Dynaco, Ditec and EM, as words and logotypes, are examples of trademarks owned by Entrematic Group AB or companies within the Entrematic Group.

© Entrematic Group AB, 2016